



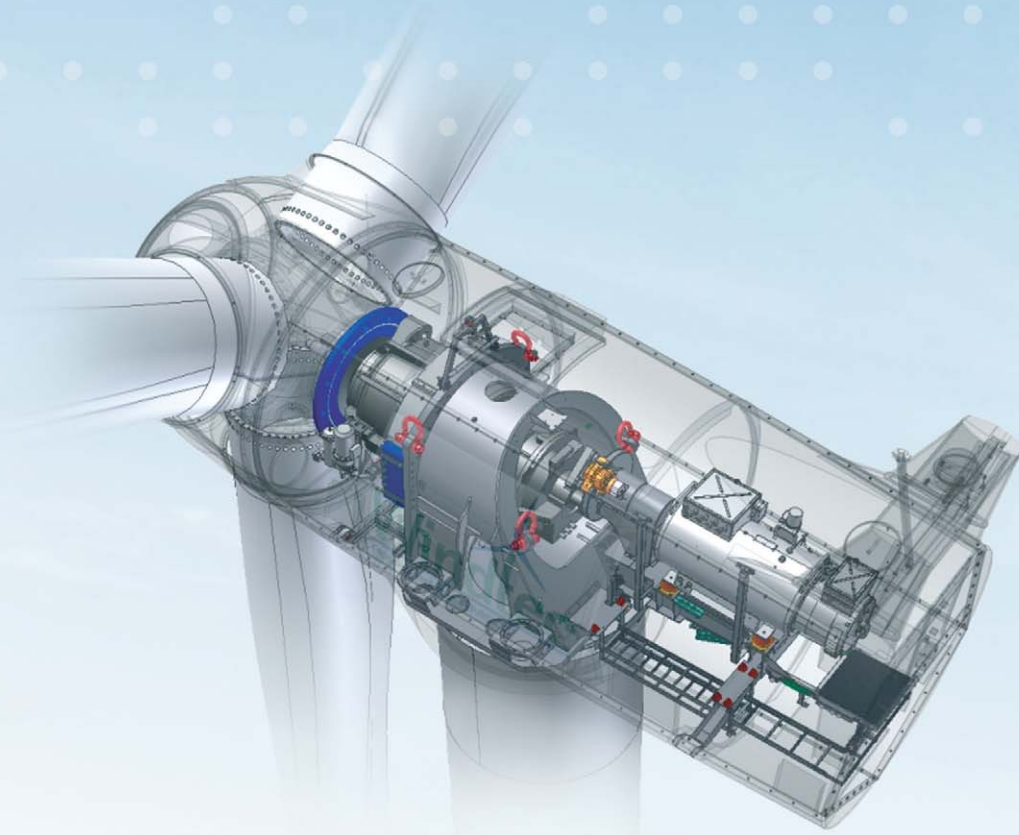
Building a green **Future!**



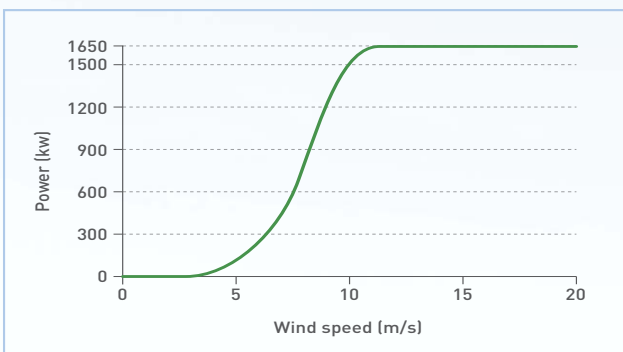
Hyundai Heavy Industries' Happy energy for the future

Hyundai Heavy Industries provides green solution for happy energy.
Happy energy making this green planet greener.

HQ1650 / 2000

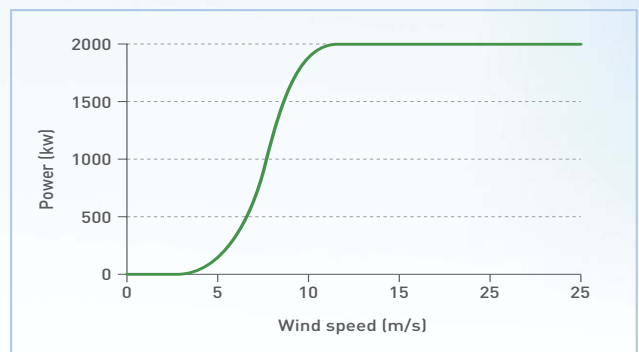


| HQ1650 Power Curve |

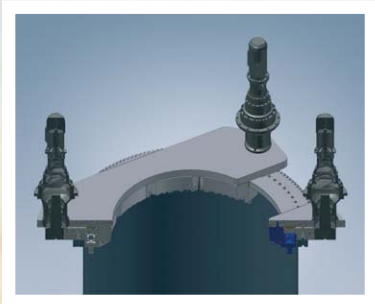
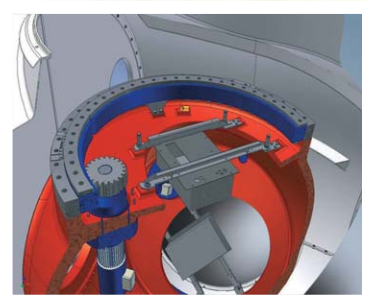
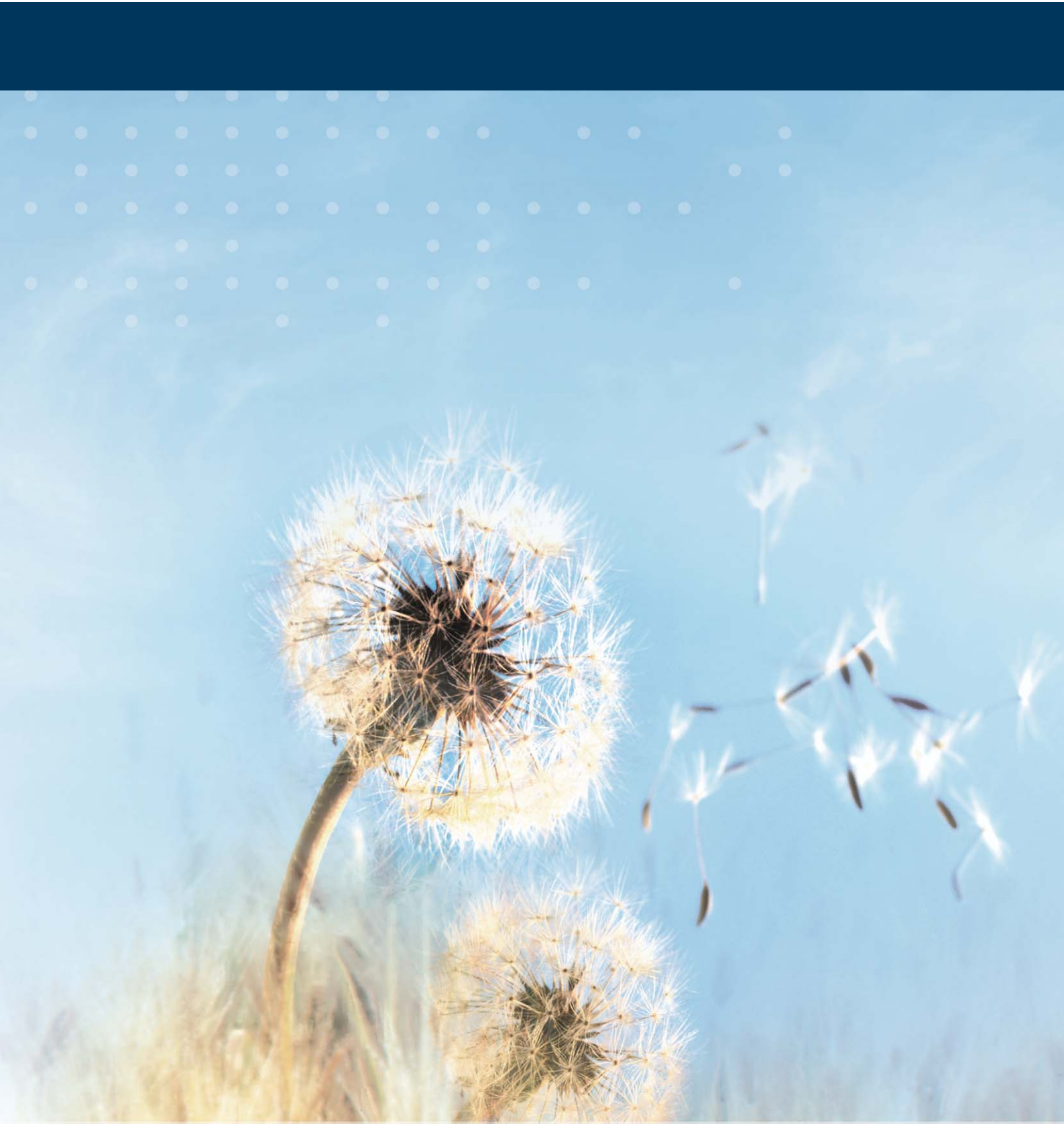


Rated Power	1,650 kW
Generator Type	Doubly Fed Induction Generator
Wind Turbine Class	TC II _A
Frequency	50/60 Hz
Hub Height	70/80 m
Rotor Diameter	77 m
Rated Speed of Rotor	18.2 rpm
Cut-in Wind Speed	3.5 m/s
Rated Wind Speed	12 m/s
Cut-out Wind Speed	20.0 m/s

| HQ2000 Power Curve |



Rated Power	2,000 kW		
Generator Type	Doubly Fed Induction Generator		
Wind Turbine Class	TC I _A	TC II _A	TC III _B
Frequency	50/60 Hz		
Hub Height	70 m	70/80 m	80/100 m
Rotor Diameter	76 m	86 m	93 m
Rated Speed of Rotor	19.0 rpm	16.7 rpm	15.7 rpm
Cut-in Wind Speed	3.5 m/s		
Rated Wind Speed	12.5 m/s	11.5 m/s	11.0 m/s
Cut-out Wind Speed	25.0 m/s	25.0 m/s	20.0 m/s



To meet today's demands for renewable energy, Hyundai Heavy Industries introduces effective and reliable solutions to harness wind energy.

| Optimized energy yield

A wide range of product designs is offered in order to best suit various wind conditions and climates.

| Cost-effective

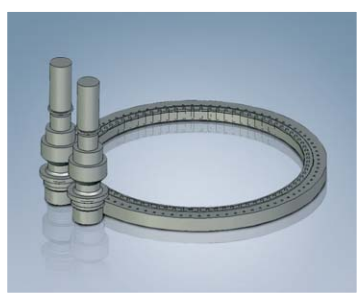
Robust and simple design of components such as yaw drive system, gear boxes and flexible couplings can reduce operation and maintenance cost.

| Easy maintenance

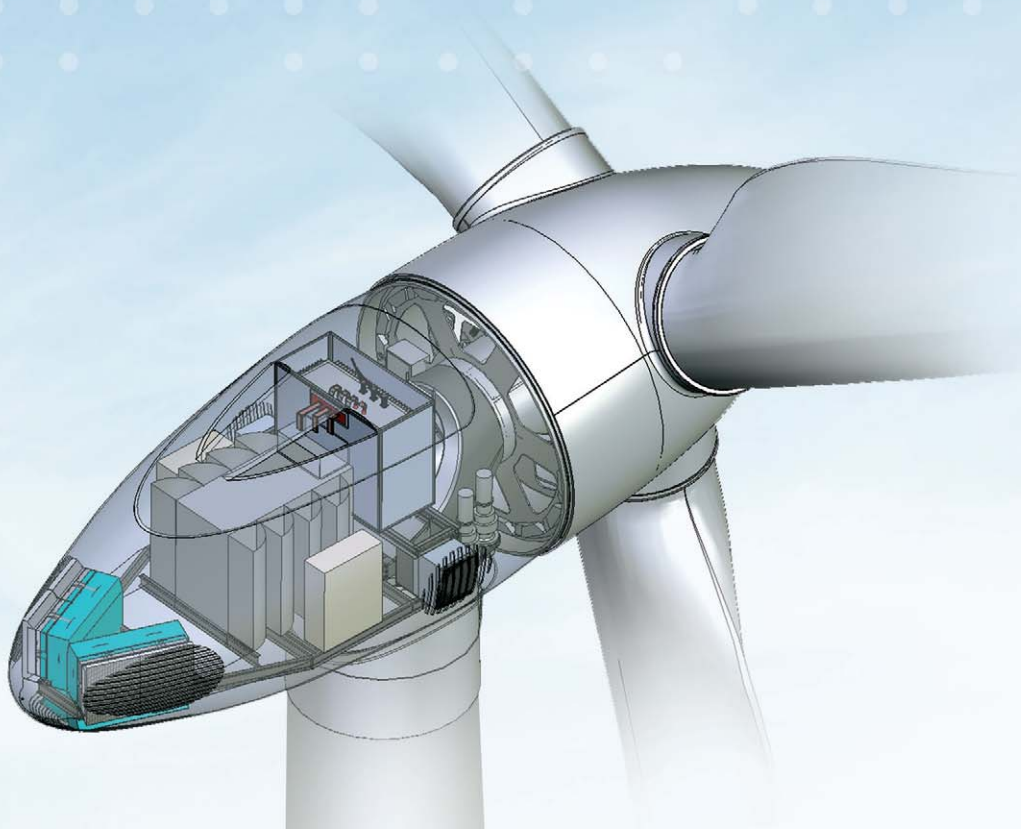
Unique design of hub allows direct access from Nacelle to Hub, making easy and safe maintenance possible.

| Safety and reliability

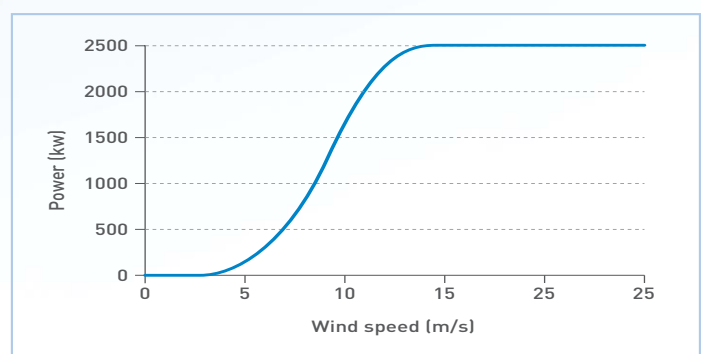
Variable pitch controls, lightning protection systems and our exclusive safety lock system protect against system failure during operation.



AV928



| AV928 Power Curve |



Rated Power	2,500 kW
Generator Type	Permanent Magnet Synchronous Generator
Wind Turbine Class	TC II _A
Frequency	50/60 Hz
Hub Height	80 m
Rotor Diameter	92 m
Rated Speed of Rotor	16 rpm
Cut-in Wind Speed	3 m/s
Rated Wind Speed	12.0 m/s
Cut-out Wind Speed	25.0 m/s

www.hyundai-elec.com



Head Office	1, Jeonha-dong, Dong-gu, Ulsan, Korea Tel: 82-52-202-7840 Fax: 82-52-250-9666 E-mail: yhbae@hhi.co.kr
Seoul	140-2, Gye-dong, Jongno-gu, Seoul, Korea Tel: 82-2-746-8402, 8524 Fax: 82-2-746-7675 E-mail: jsbong57@hhi.co.kr, andy@hhi.co.kr
Orlando	3452 Lake Lynda Drive, Suite 170, Orlando, Florida 32817, U.S.A. Tel: 1-407-249-7350 Fax: 1-407-275-4940
New Jersey	300 Sylvan Avenue, Englewood Cliffs, NJ 07632, U.S.A. Tel: 1-201-816-0286 Fax: 1-201-816-4083
London	2nd Floor, The Triangle, 5-17 Hammersmith Grove, London, W6 0LG, UK Tel: 44-20-8741-0501 Fax: 44-20-8741-5620
Tokyo	8th Fl., Yurakucho Denki Bldg.1-7-1, Yuraku-cho, Chiyoda-gu, Tokyo, 100-0006, Japan Tel: 81-3-3212-2076, 3215-7159 Fax: 81-3-3211-2093
Osaka	I-Room 5th Fl., Nagahori-Plaza Bldg. 2-4-8, Minami Senba, Chuo-Ku, Osaka, 542-0081, Japan Tel: 81-6-6261-5766, 5767 Fax: 81-6-6261-5818
Dubai	Unit 205, Level 2, Burj Dubai Square Building No. 4, Sheikh Zayed Road, P.O.Box 252458 Tel: 971-4-425-7995 Fax: 971-4-425-7996
Sofia	1271, Sofia 41, Rojen Blvd., Bulgaria Tel: 359-2-803-3200 Fax: 359-2-803-3203
Yangzhong	No. 9 Xiandai Road, Xinba Scientific and Technologic Zone, Yangzhong, Jiangsu, P.R.C. Zip: 212212, China Tel: 86-511-8842-0666, 0212 Fax: 86-511-8842-0668, 0231

AV928 is not for US market
All information is subject to change without prior notice